

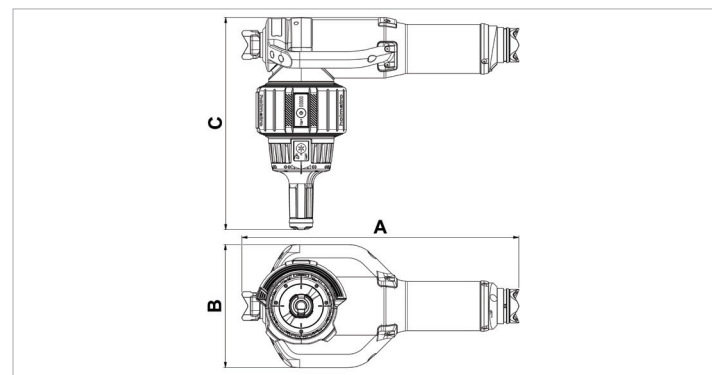
## Technical specification sheet

# PTR50 | Telescopic Ram

Specifications		
article number		159.000.207
model		PTR50
short description		Telescopic Ram
max. working pressure	psi	7832
battery included		no
spreading stroke 1st plunger	in	15.9
spreading stroke 2nd plunger	in	15
total spreading stroke	in	31
retracted length	in	22.8
extended length	in	53.7
max. spreading force 1st plunger	lbf	30574
max. spreading force 2nd plunger	lbf	14613
protection rate		IP57
sound emission @ 1m/3.25ft	dB(A)	73
sound emission @ 4m/13ft	dB(A)	64
hydraulic oil type		ISO-L HV VG 36
number of plungers		2
weight, ready for use	lb	43.9
temperature range	°F	-4 + 131
weight excl. battery	lb	40.6
dimensions (AxBxC)	in	22.8 x 10.1 x 17.4
EN 13204 classification		TR136/405-65/382-19.9
EN 13204 compliant		yes
NFPA 1936, HSF	lbf	30574
NFPA 1936, LSF	lbf	14613
NFPA 1936 compliant		yes

Safety factors / tests	
hydraulic safety factor	2:1
endurance test tool	1000 cycles of spreading while the tool is loaded
endurance test dead man's handle	6000 cycles

Required articles	
Battery PBPA287	151.000.583
Battery Charger PBCH2 (AC-US)	151.000.742
Battery Charger PBCH3 (DC)	151.000.632



holmatro.com

© Holmatro 2021-05-19

While the greatest care has been devoted to the content, it is possible that the information in this printed matter is incorrect or incomplete. Holmatro B.V. and its affiliated companies (hereafter: Holmatro) cannot be held liable in any way for the consequences of activities undertaken on the basis of this printed matter. Values can vary within the manufacturer measurements. If you have any doubts about the correctness or completeness of the information, you shall contact Holmatro (T +31 (0)162-751480). Nothing from this printed matter can be copied and/or made public in any way without the explicit authorisation of Holmatro.